



WOLF INTRINSICALLY SAFE TORCH



- **Unique Variable Beam Adjustment**
- **Modular Construction for Flexible Options**
- **Twin Concept Ex. Enclosure**
- **Self Re-locking Bulb Enclosure**
- **0.5A High Efficiency Krypton or Xenon Bulb**
- **Moulded in High Impact Thermoplastic Resin**
- **Right angle models with clip available for 'hands-free' operation**
- **CE marked to ATEX Directive**

T-2DC & T-2DCRA

1.2w variable beam

Peak luminous intensity for spot beam (approx 4.5°)

at 16ft/5m **200lux**

Peak luminous intensity for wide beam (approx 25°)

at 16ft/5m **30lux**

T-3DC & T-3DCRA

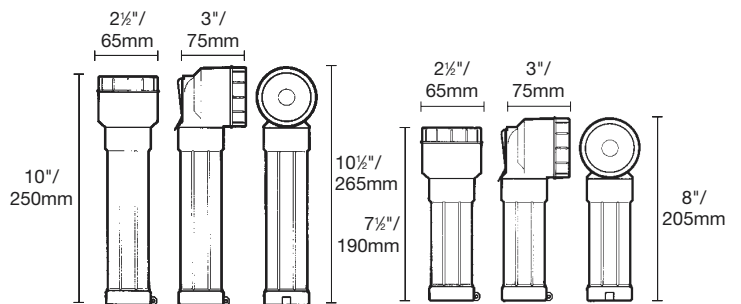
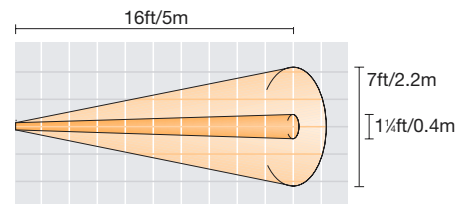
1.8w variable beam

Peak luminous intensity for spot beam (approx 4.5°)

at 16ft/5m **300lux**

Peak luminous intensity for wide beam (approx 25°)

at 16ft/5m **40lux**



1180

The Wolf Intrinsically Safe Torch range comprises four models designed to meet a wide scope of requirements. The robustly constructed torches are moulded in high impact thermoplastic resin for lasting durability and service requirements. Compact and simple to use, the torches are designed for use in potentially explosive atmospheres, emergency situations or wherever the need arises for a handheld safety torch.

The range complies with the 94/9/EC ATEX Directive as Category 2 equipment, and is approved to the latest European "EN" Standards for "Electrical apparatus for potentially explosive atmospheres". This allows for use in Group II applications, Zones 1 and 2, IIA and IIB gases where T4 temperature class permits.

Common uses are in Fire-fighting as Breathing Apparatus (BA) torches, Gas distribution, Water treatment, and wherever explosive gases and vapours accumulate in confined spaces.

A unique and highly acclaimed feature of the torches is the Optical Focusing System. The parabolic mirror is computer designed to provide variable beam adjustment from a powerful spot to broader floodlit illumination, through the high impact lens.

The torches are available as two cell straight head (T-2DC), two cell right

angle head (T-2DCRA), three cell straight head (T-3DC) and three cell right angle head (T-3DCRA).

The 0.5A bulbs used (2.4v in two cell, 3.6v in three cell models) are high efficiency bulbs giving a high level of light output.

The Ex. construction is also unique, incorporating two separate explosion protected enclosures; a lockable 'Increased Safety' enclosure containing the internal

rotating switch and bulb, and an 'Intrinsically Safe' enclosure for the primary cells.

Each torch comes complete with a lock release pin, wrist lanyard and maintenance instructions. Certification is for any Zinc R20 size type primary cell.

Alkaline Manganese Cells of any description may not be used in this product.

Wolf Intrinsically Safe Primary Cell Torch				
Technical Specification				
Product reference	T-2DC	T-2DCRA	T-3DC	T-3DCRA
Product description	2 cell safety torch straight head	2 cell safety torch r/angle head	3 cell safety torch straight head	3 cell safety torch r/angle head
Code	Ex II 2G EEx e ib IIB T4			
Apparatus standard	EN50014, EN50019, EN50020			
Type of protection	"e" increased safety, "ib" intrinsic safety			
Area of class (gas)	Zones 1 and 2, gas groups IIA and IIB			
Temp. class (gas)	T4			
Ambient temperature	-20°C to +40°C			
Certificate	Baseefa02ATEX0181			
Enclosure	High impact thermoplastic resin			
Lens	Polycarbonate			
Beam type	Variable			
Light source:	Pt. no.	T-203	T-303	
	Type	Krypton/Xenon filled filament bulb		
	Volts	2.4V	3.6V	
	Watts	1.2W	1.8W	
	Output	12 lm	25 lm	
Power source:	Life	10 hrs	20 hrs	
	Pt. no.	2 x T-20	3 x T-20	
	Type	R20 D size zinc primary cells only		
Light duration	up to 5 hours			
Ingress protection	IP 66 to EN60529:1992			
Weight (excl. cells)	½lb/200g	½lb/225g	½lb/215g	½lb/240g

Note: All information has been gathered under laboratory conditions, the user must regard the values given as approximate. The Company reserves the right to alter product specifications without prior notice.

SAFETY LAMP OF HOUSTON, INC.

1816 Rotary Drive, Humble, Texas 77338. U.S.A.

Telephone: +1 281 964 1019 Facsimile: +1 281 964 1040

Email: safetylampofhouston@prodigy.net Website: www.safetylampofhouston.com

MMD/N/4K/2.03

