



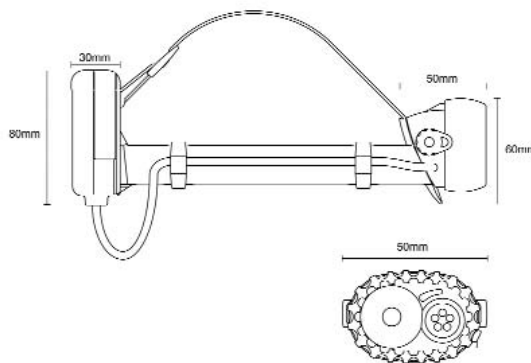
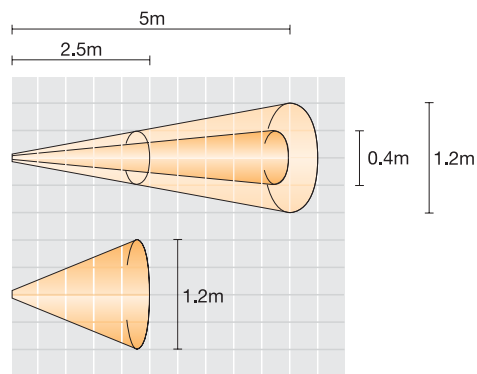
DUO ATEX HEADLAMP

ATEX Directive
94/9/EC
Compliant



- Completely hands free
- For head or hardhat use
- Pivoting head unit for accurate beam positioning
- Selectable LED or incandescent light source
- CE marked to ATEX Directive
- Explosive gas, vapour and mist certified for zones 1 & 2
- Rechargeable, supplied with "quick" battery charger
- Robust, ergonomic design
- Up to 7 hour battery duration when using bulb

ATEX Duo HT-01
2W variable beam
Peak luminous intensity for spot beam (approx 4.5°) at 5m, **31lux**
Peak luminous intensity for wide beam (approx 13.5°) at 5m, **14lux**
0.5w LED BEAM
Peak luminous intensity (approx 27°) at 2.5m, **6.5lux**



Quick Charge
Long Duration

The Duo ATEX is a rechargeable headband lamp approved for safe use in potentially explosive gas, vapour and mist atmospheres. It is the ideal lighting solution for workers in confined spaces and hazardous areas, needing a 'hands free' lamp, which will direct a beam of light wherever they look. CE marking in compliance with the 94/9/EC explosive atmospheres 'ATEX' Directive confirms that the Duo ATEX is compliant with the latest European legislation, and is safe for use in zone 1 and 2 hazardous areas, where the T3 temperature class permits. The Duo ATEX comprises of a head unit and a battery box joined by a cable, and mounted on an

elastic headband. Both head unit and battery box are sealed 'water resistant' and are constructed from high quality impact resistant plastic materials. The lens is shatterproof polycarbonate. The headband is adjustable, for use on a head or a hardhat. Helmet clips are available for hardhat use, as additional items, to secure the elasticated straps in place. The Duo ATEX incorporates two light sources, selected using an externally mounted switch with lock feature to prevent accidental switching. The 2 watt filament bulb has a 'zoom' function, allowing beam adjustment from narrow spot to wide angle flood and gives a duration of up to 7 hours.

Alternatively, the bright, white LED light source offers energy efficient close-up illumination for up to 24 hours. The LEDs will run for up to 160 hours, but at a reduced light output. The head unit will pivot up or down for accurate beam positioning. A spare bulb is supplied, fitted inside the head unit. The rechargeable battery pack is short-circuit protected to intrinsically safe levels and is safe to be removed and replaced in the hazardous area. The Duo ATEX is supplied with a mains "quick" charger, fully charging a completely discharged battery pack in 4 hours. Alternatively a vehicle charger is available to charge the battery from a 12v vehicle supply.

Duo ATEX Headlamp <i>Technical Specification</i>			
Product reference		HT-01	
Product description		Rechargeable safety headband lamp E61L5UK	
Code		II 2 G EEx e ia IIC T3	
Equipment category		2 G	
Apparatus standards		EN50014, EN50019, EN50020	
Type of protection		"e" increased safety, "ib" intrinsic safety	
Area of classification (Gases)		Zone 1 and 2, Gas groups IIA, IIB, IIC	
Temp. classification (Gases)		T3	
Ambient temperature		-5°C to +40°C	
Certificate		INERIS02ATEX0056	
Enclosure		High impact thermoplastic	
Lens		Polycarbonate	
Beam type		Switchable from variable bulb to fixed LED	
Light source:	Pt. no.	HT-02	HT-06
	Type	Main vacuum bulb	5 x White LED
	Volts	6V	6V
	Watts	2W	0.5W
Power source:	Pt. no.	HT-08	
	Type	Ni MH	
	Volts	4.8V	
	Capacity	2.7Ah	
	Life	500 cycles	
Light duration		Up to 7 hrs	Up to 24 hrs
Ingress protection		IP54	
Weight (incl. battery)		0.325 kg	
Charger reference		Supplied with HT-01	HT-20
Product description		E65200 2UK, 230V Mains charger	E65300, 12V Vehicle charger
Insulation class		II	III
Enclosure		Plastic	Plastic
Input voltage		230V	12V
Recharge time		4 hrs	14 hrs
Ingress protection		IP20	IP20

SAFETY LAMP OF HOUSTON, INC.

1816 Rotary Dr. Humble, TX 77338

Tel: +1 281 964 1019 Fax: +1 281 964 1040

Email: safetylampofhouston@prodigy.net Website: www.safetylampofhouston.com

SL003 issue 01

MMD/WK/10.04/3K

