



WOLF ATEX SAFETY FLASHLIGHT

UL Certified
Class 1 Division 1



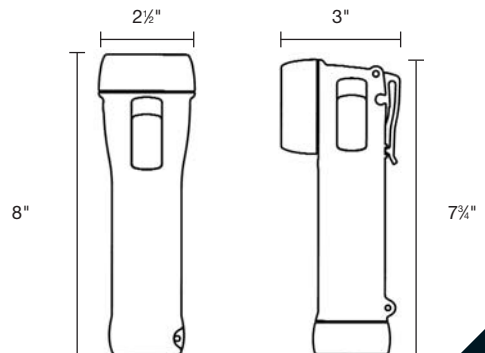
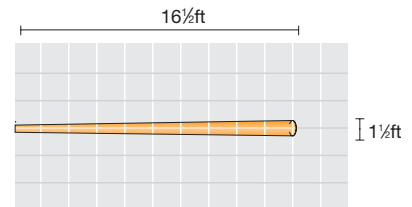
- T6 and T4 models
- Simple, robust design
- Ultimate halogen light output
- High energy alkaline cell certified
- ATEX explosive gas and dust approval
- Low power indicator option



TS-26 & TR-26
1.2W beam (approx 5°)
Peak luminous intensity at 16½ft, **170 lux**

TS-24 & TR-24
1.7W beam (approx 5°)
Peak luminous intensity at 16½ft, **230 lux**

TS-24+ & TR-24+
2.0W beam (approx 5°)
Peak luminous intensity at 16½ft, **280 lux**



1180

For use with alkaline
or zinc "D" cells

The Wolf ATEX Safety Flashlight range offers the perfect answer for every Ex application, with reliable, simple and cost effective solutions. The range includes T4 and T6 models with straight or right-angle body style.

T4 models give outstanding light output using advanced, long life halogen or xenon bulbs, set in a high quality parabolic reflector, coupled with alkaline cell approval, giving up to 12 hours of light output. The T4 halogen models are fitted with a low power warning circuit, illuminating a red indicator when battery voltage is low. Alternatively T6 approval allows use in any Zone 1 or 2 atmospheres, with optimum light output in this temperature class, and a 5 hour duration.

The Wolf ATEX Flashlight range is CE marked compliant with the 94/9/EC ATEX Explosive Atmospheres Equipment Directive. BASEEFA Certification is to the latest standards, for use in potentially explosive gas, vapour and mist atmospheres, zones 1 and 2, temperature class T6 or T4. Dust ignition protection covers use in zones 21 and 22, with the certified maximum surface temperatures of 149°F or 203°F. Temperature ambient use is from -4°F to a maximum of 104°F or 131°F, as specified in the instructions.

The compact Wolf ATEX Flashlight design has a high-grip ergonomic form with easy single handed switching, even with gloved hands. The flashlight body offers high strength, and proven impact

resistance even at sub zero temperatures, using carefully selected thermoplastic resins with excellent chemical resistance. Additionally, the rubber armoured lens ring and end cap give enhanced grip and shock protection. The shatterproof polycarbonate lens has a scratch and chemical resistant coating. The Wolf ATEX Flashlight range is sealed dust tight and protected from water immersion, with a certified IP67 enclosure. Right angle models incorporate a replaceable high strength thermoplastic belt clip for hands free use. Both models allow straightforward battery and bulb replacement, a spare bulb is fitted in the bulbholder for quick and convenient replacement. All models are supplied with wrist straps and clip rings.

Wolf ATEX Safety Flashlights						
Technical Specification						
Model	TS-26	TR-26	TS-24	TR-24	TS-24+	TR-24+
Description	Safety Flashlight, Primary Cell Powered, Straight or Right-Angle					
	Straight T6	R/Angle T6	Straight T4	R/Angle T4	Straight T4+ with indicator	R/Angle T4+ with indicator
Code	Ⓔ II 2 GD EEx e ib IIC T6 IP67 T65°C		Ⓔ II 2 GD EEx e ib IIC T4 (Tamb = 40/55°C) IP67 T95°C (Tamb = 55°C)			
UL certification	-					
Equipment category	Class 1 Division 1 Gas Groups C & D					
Apparatus standard	2 GD					
Apparatus standard	EN50014, EN0019, EN50020, EN50281-1-1					
Type of protection	Increased safety, intrinsic safety					
Area of classification (gas)	Zones 1 & 2 Gas Groups IIA, IIB, IIC					
Temperature class (gas)	T6			T4		
Ambient temperature (gas)	-4°F to +104°F			-4°F to +104°F/+131°F		
Area of classification (dust)	Zones 21 and 22					
Temperature class (dust)	149°F			203°F		
Ambient temperature (dust)	-4°F to +104°F			-4°F to +131°F		
Certificate	BAS 02 ATEX 2220Xx					
Enclosure	Impact resistant thermoplastic, electrostatic non-hazardous					
Lens	Polycarbonate, impact resistant with hard coat					
Beam type	Medium spot					
Light source:	Pt. no.	TP-406		TP-404		TP-402
	Type	Vacuum filament bulb		Xenon filled filament bulb		Halogen filled filament bulb
	Rating	2.4V, 0.5A		2.4V, 0.7A		2.4V, 0.83A
	Output	11.4 lm (at nom voltage)		15 lm (at nom voltage)		23 lm (at nom voltage)
	Life	15 hrs		50 hrs		30 hrs
	Spare bulb	TP-406		TP-404		TP-404
Power supply	Pt. no.	T-20		H-20		
	Type	Alkaline or zinc "D" cells				
	Volts	2 x 1.5v		2 x 1.5v		
Light duration	Up to 5 hrs		Up to 12 hrs		Up to 10 hrs	
Ingress protection	IP67 to EN60529: 1992					
Weight (without cells)	¼lb	¼lb	¼lb	¼lb	¼lb	¼lb

Note: All information has been gathered under laboratory conditions, the user must regard the values given as approximate. The Company reserves the right to alter product specifications without prior notice.

SAFETY LAMP OF HOUSTON, INC.

1816 Rotary Drive, Humble, Texas 77338. U.S.A.

Telephone: +1 281 964 1019 Facsimile: +1 281 964 1040

Email: safetylampofhouston@prodigy.net Website: www.safetylampofhouston.com

MMD/N/8.02/2K

