



WOLF ATEX Worklite



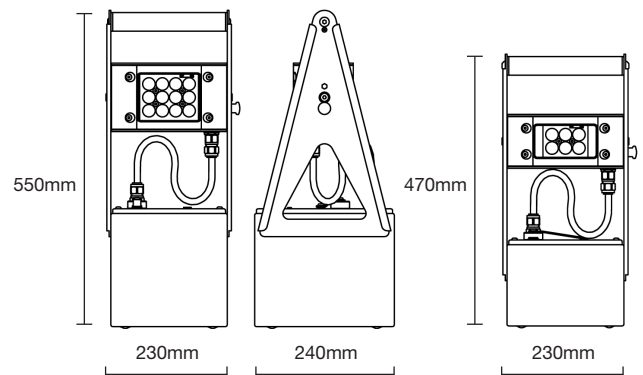
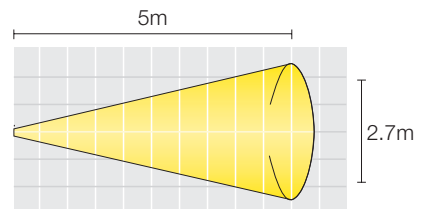
- ATEX Approved for explosive gas and dust atmospheres
- High output 32 watt white LED beam with flood of low level fringe light
- LED light source 'fitted for life', no bulb replacement required
- Long duration, up to 14 hours full power, 27 hours half power
- Robust durable stainless steel construction
- Toughened glass lens with optional disposable lens guard
- Uses rechargeable high capacity sealed lead acid gel battery technology
- State of charge LED indication

WL-70

16W LED beam (approx 30°)
Peak luminous intensity at 5m 100lux

WL-85

32W LED beam (approx 30°)
Peak luminous intensity at 5m 185lux



1180

The Wolf ATEX Worklite is a rechargeable high output LED floodlight, designed for use in harsh explosive atmosphere applications. It offers unique levels of light output, operational duration and robustness in a self contained battery powered lamp. The Worklite is ideal for use in remote applications for extended periods.

The Wolf ATEX LED Worklite is CE marked to the 94/9/EC ATEX Equipment Directive, allowing use in zones 1 and 2 potentially explosive gas, vapour, mist and dust atmospheres, where a T4 temperature class permits.

Two Worklite models are available, the WL-85 with a 12 LED lamp head, giving over 1000 lumens output, and the WL-70 with a 6 LED lamp head,

giving over 500 lumens output. Both models deliver a piercing 30° beam, combined with a wide flood of low level fringe light. The LED light source has a 25,000 hour life, highlighting the low maintenance benefits of the Worklite range.

The duration of both models is over 14 hours on 'high power', switching to 'low power' extends duration to over 27 hours. In addition to dual light output, the Worklite control circuit manages switch function, battery level indication, emergency powerfail illumination and low battery cut-off, protecting the high capacity rechargeable sealed lead acid gel battery from deep discharge damage.

The Worklite has a fabricated stainless steel construction, designed

to withstand the rigours and corrosion expected in harsh industrial and offshore applications. The battery and control circuit are contained inside a box enclosure giving IP65 protection from ingress of dust and water jets. The anodised aluminium lamp head is also IP65 sealed and is designed as a heatsink for the LED light source. The lamp head has an impact resistant 6mm toughened glass lens for the light aperture. In shot blasting and painting applications the lens can be protected using a disposable anti-static lens guard. The LED lamp head can pivot and lock, allowing the light to be easily directed.

The Worklite is supplied with a mains charger with state of charge indication, powered from 100 to 254Vac.

Wolf ATEX LED Worklite		
Technical Specification		
Product reference	WL-70	WL-85
Description	High Power Rechargeable Battery Worklite	
	6 LED	12 LED
Code	Ⓔ II 2 GD Ex e ib mb IIC T4 Ex tD A21 IP65 T135°C	
Apparatus standards	EN60079-0, EN60079-7, EN60079-18, EN50020, EN61241-0, EN61241-1	
Type of protection	'e' Increased Safety, 'ib' Intrinsic Safety, 'mb' Encapsulation, tD Enclosure Protection	
Area of classification (Gases)	Zone 1 & 2, gas groups IIA, IIB, IIC	
Temp. classification (Gases)	T4	
Area of classification (Dust)	Zones 21 and 22	
Max surface temp. (Dusts)	T135°C	
Ambient Temperature	-20°C to +40°C	
Certificate	Sira07ATEX3027	
Enclosure Material	Stainless steel with aluminium LED lamp head	
Lens	Toughened glass lens with optional anti-static lens guard	
Beam type	Spot beam with a flood of low level fringe light	
Light source:	Type	High power LED
	Power	6 x 3 watt LEDs
	Output	Up to 510 lm
	Bulb Life	25,000 hrs plus (fitted for life)
Power Supply:	Pt. no.	W-218
	Cell Type	Rechargeable battery, sealed lead acid gel
	Volts	12 Volt
	Capacity	18 Ah
	Life	Up to 500 recharge cycles
Low Battery Indicator	Yes	
Light duration	High	up to 14 hrs
	Low	up to 27 hrs
Ingress protection	IP65 to EN60529: 1992	
Weight (incl. cells)	17 kg	21 kg
Charger input	100-254 Vac	
Recharge Time	8 Hours	12 Hours

Note: all information has been gathered under laboratory conditions, the user must regard the values given as approximate.

SAFETY LAMP OF HOUSTON, INC.

1816 Rotary Dr., Humble, TX 77338

Tel: 281 964-1019 Fax: 281 964-1040

E-mail: safetylampofhouston@prodigy.net Website: www.safetylampofhouston.com

SL015 ISSUE 01
MMD/EVO/6.07/4K

