

Fig. 1



EN IEC 60079:-

IECEX Scheme Certification

Ex ia IIC T4 Ga IP66

XT-75 Zone 0 Handlamp
(Spot & Flood)

Ex ib IIC T4 Gb IP66

XT-50 Zone 1 Handlamp (Spot)
XT-70 Zone 1 Handlamp (Spot & Flood)

XT-90 Zone 1 Handlamp
(Spot, Flood & Signal)

Cert No. IECEx BAS 09.0153

IEC Standards Applied:

IEC60079-0:2004

IEC60079-11:2006

IEC60079-26:2006

Ingress Protection Level:

IP66 to IEC60529:2001

Fig. 2

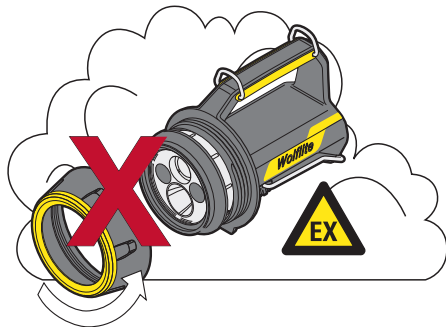


Fig. 3

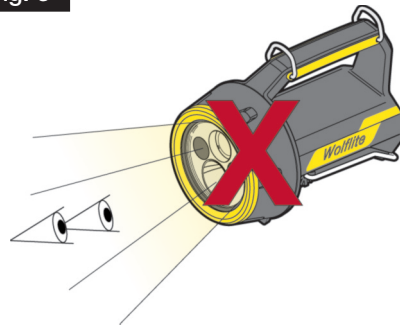
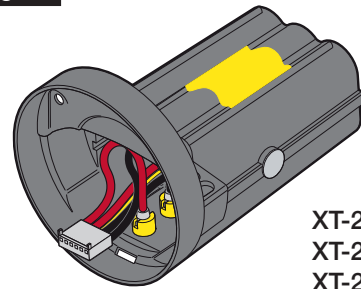


Fig. 4



XT-202
XT-204
XT-206



Li Ion



-Un Transportation
Regulations
-ADR
-US CFR 49



-IATA
-ICAO
-IMDG



XT-204 Only

Fig. 5

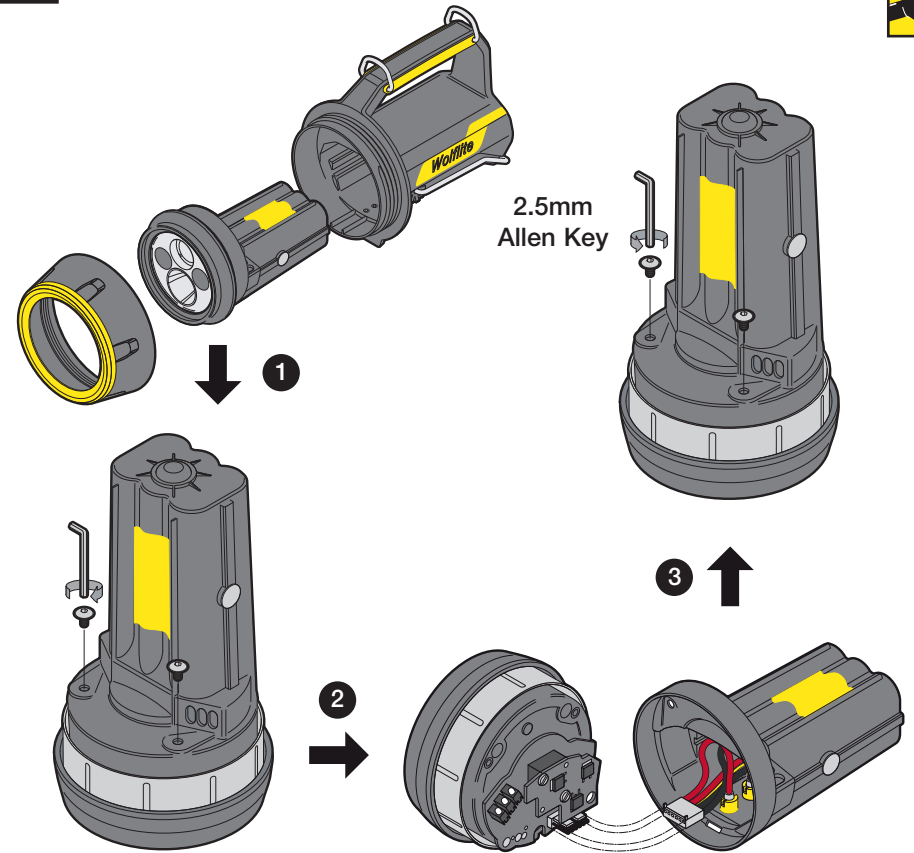
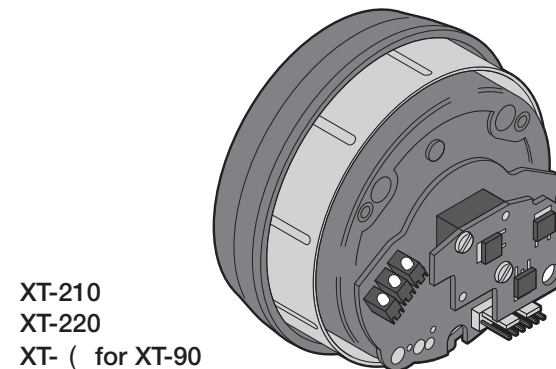


Fig. 6

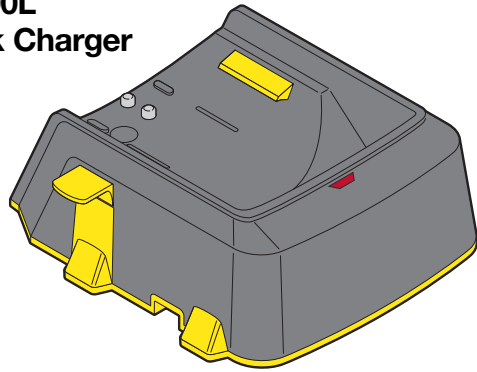


XT-210
XT-220
XT- (for XT-90

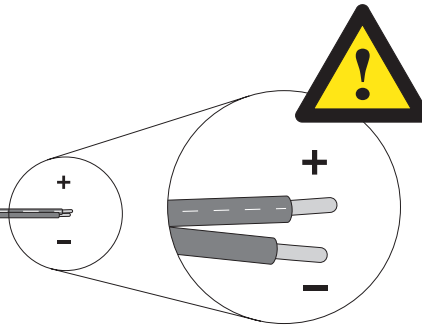


Fig. 10

**XT-200L
Quick Charger**



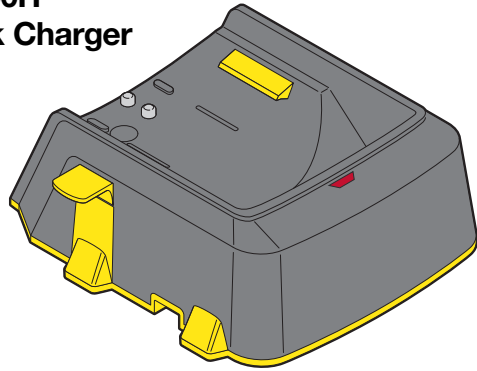
RC-452
DC Vehicle Cable



12/24V DC



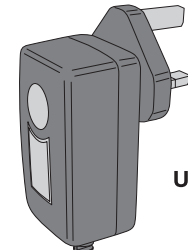
**XT-200H
Quick Charger**



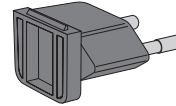
RC-300
Mains Adaptor



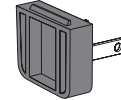
100 – 254V AC
@ 50 – 60 Hz



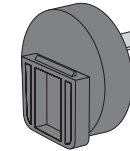
UK



Euro

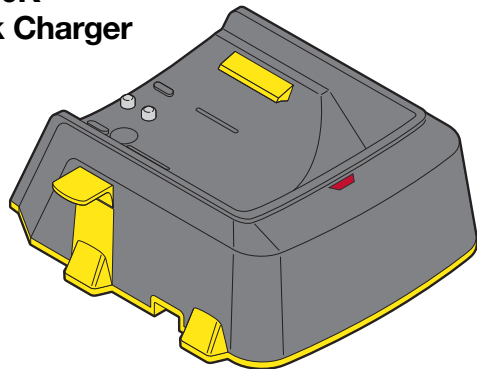


USA



Aus

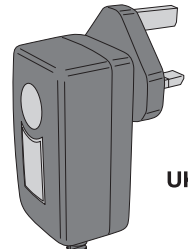
**XT-200K
Quick Charger**



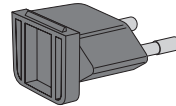
RC-300
Mains Adaptor



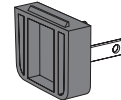
100 – 254V AC
@ 50 – 60 Hz



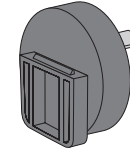
UK



Euro

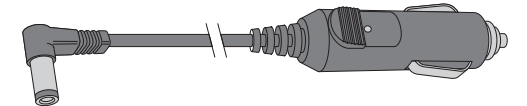


USA



Aus

RC-454
DC Vehicle Cigarette Cable



12/24V DC



Fig. 11

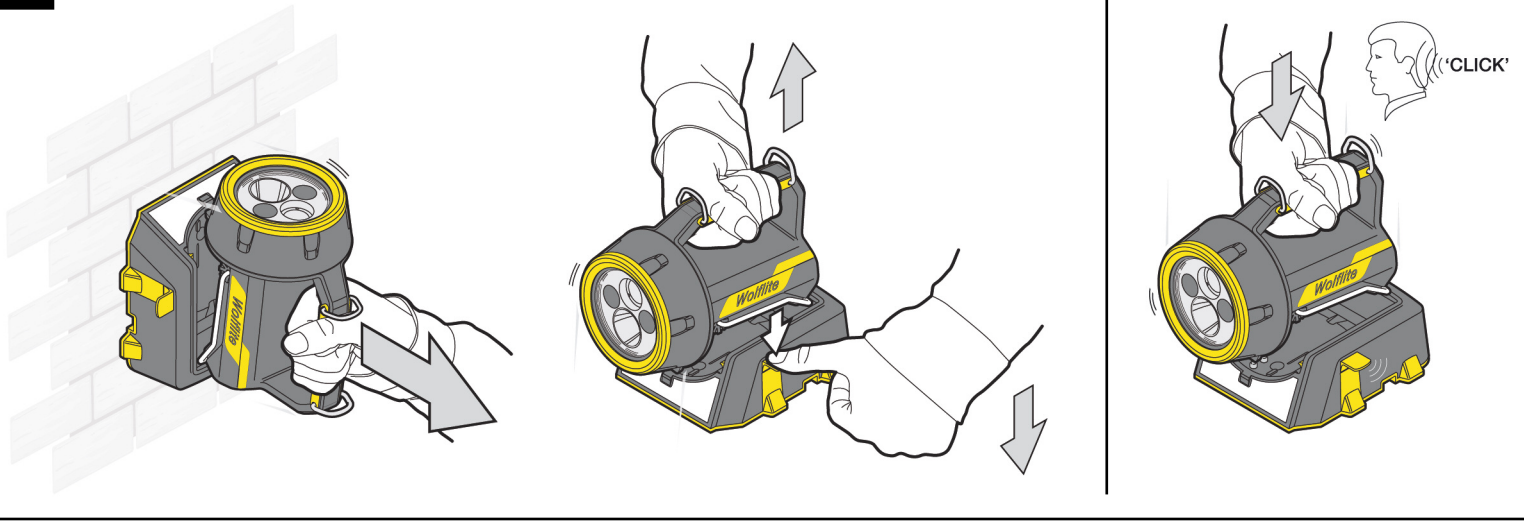
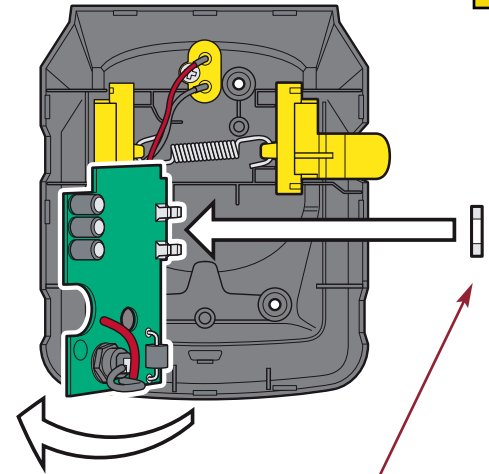
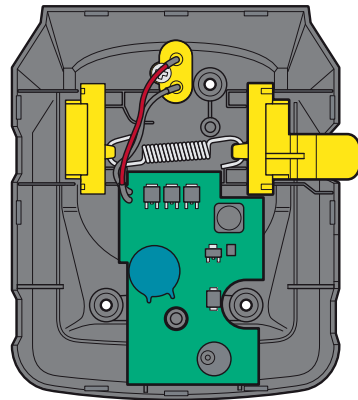
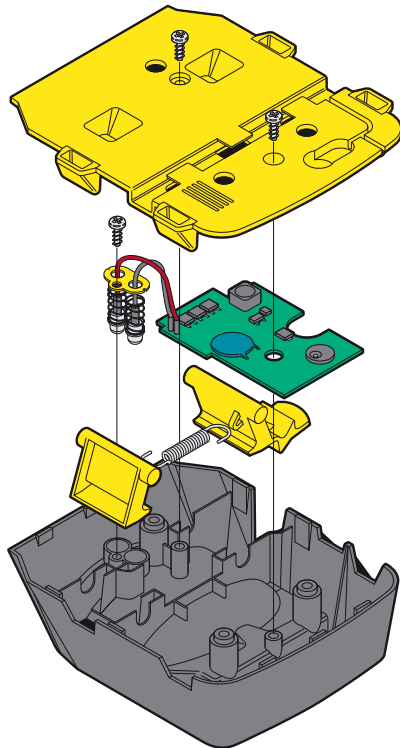


Fig. 12



Parts List

Description	Pt. No:
Charger Body Assembly	XT-281
Latch Mechanism	XT-282
Charger Circuit Assembly	XT-452
Spare Charger Fuse 2.5A	XT-225
Screw Kit	XT-283

